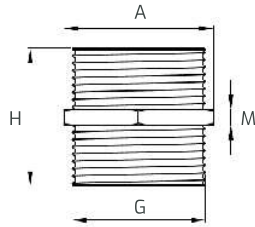


## NIPPLE

### NIPPLO

#### SERIES/SERIE NP



Dimensions \ Ingombri

Mod	DN	A (mm)	G (?)	H (mm)	M (mm)	Weight/Peso (Kg)
<b>NP4</b>	32	48	G1 <sup>1/4</sup>	58	12,5	0,27
<b>NP5</b>	40	54	G1 <sup>1/2</sup>	60	11	0,28
<b>NP6</b>	50	70	G2"	70	13,5	0,52
<b>NP8</b>	80	100	G3"	84	14,5	1,13
<b>NP9</b>	100	130	G4"	97	13,5	1,86

## FLANGE

### FLANGIA

#### SERIES/SERIE VK

For valves  
Per valvole

VRL

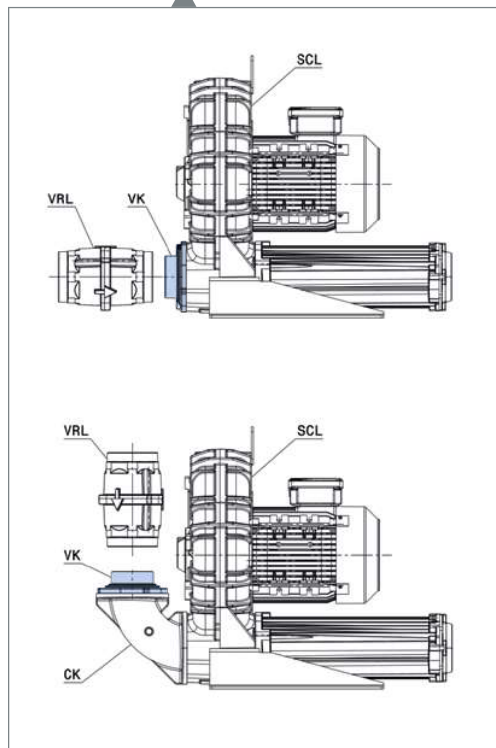


FIG 1

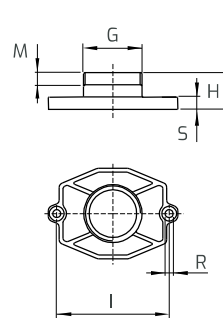
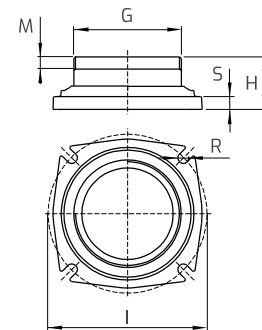


FIG 2



Dimensions \ Ingombri

Mod	DIN	G (mm)	H (mm)	I (mm)	M (mm)	R (mm)	S (mm)	Fig.	Weight Peso (g)
<b>VK5G</b>	40	G2"	47	92	17	6,5	10	1	310
<b>VK6G</b>	50	G2"	50	110	17	8,5	10	1	265
<b>VK6AG</b>	50	G2"	60	130	12	9	11	2	345
<b>VK8G</b>	80	G3"	43	130	10	9	11	2	290
<b>VK9G</b>	100	G4"	46	150	12	9	11	2	360
<b>VK5N</b>	40	1 <sup>1/2</sup> NPT	30	92	15	6,5	10	1	85
<b>VK6N</b>	50	2" NPT	50	110	24	8,5	10	1	265
<b>VK6AN</b>	50	2" NPT	60	130	19	9	11	2	345
<b>VK8N</b>	80	3" NPT	44	130	20	9	11	2	280
<b>VK9N</b>	100	4" NPT	46	150	23	9	11	2	345